

ROHS (2002/95/EC) **COMPLIANT**

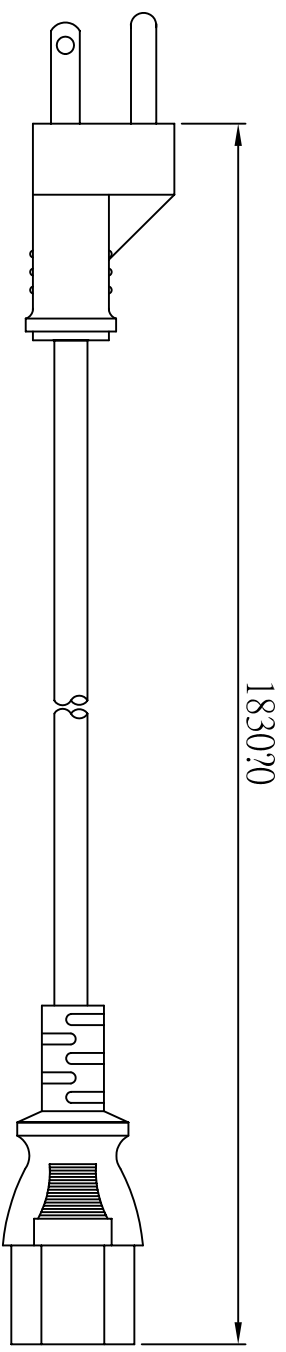
CUSTOMER: N/A

P/N: 7500.072

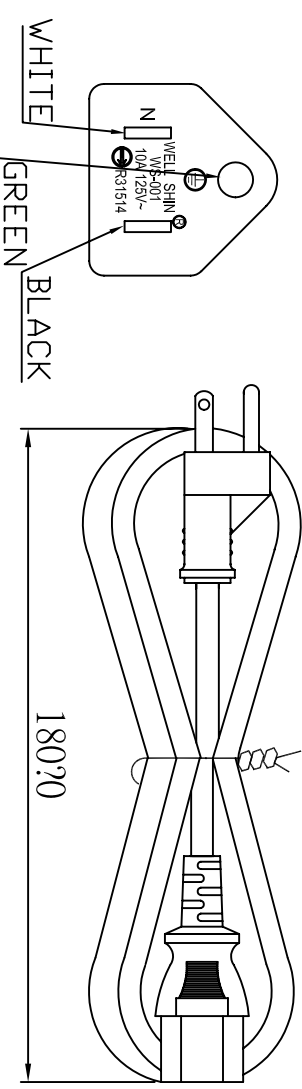
REV.

APPROVED BY:

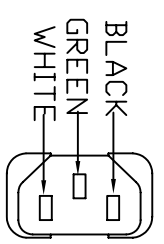
REVISIONS			
REV.	DESCRIPTION	DATE	APPVD.
△			
△			
△			



NOTES:



MARKING:
 WELL SHIN
 WS-002
 10A 125V~
 R31514



PRODUCT SPECIFICATION:

- (1) COLOR : BLACK
- (2) PLUG : WS-001 10 (A) 125 (V) APPROVAL : BSMI
- (3) CONNECTOR: WS-002 10 (A) 125 (V) APPROVAL : BSMI
- (4) CABLE : VCTF 3CX1.25mm² APPROVAL : BSMI

ENGINEER BY:	SIGNATURE	QUAIL ELECTRONICS, INC. http://www.quail.com	
MANAGER BY:			
CHECKED BY:			
DRAWN BY:			
		PRODUCT NO.:	DATE: 2006.05.20
		UNIT: mm	SHEET: 1 OF 1
		DWG NO: 0096-2267	REV.