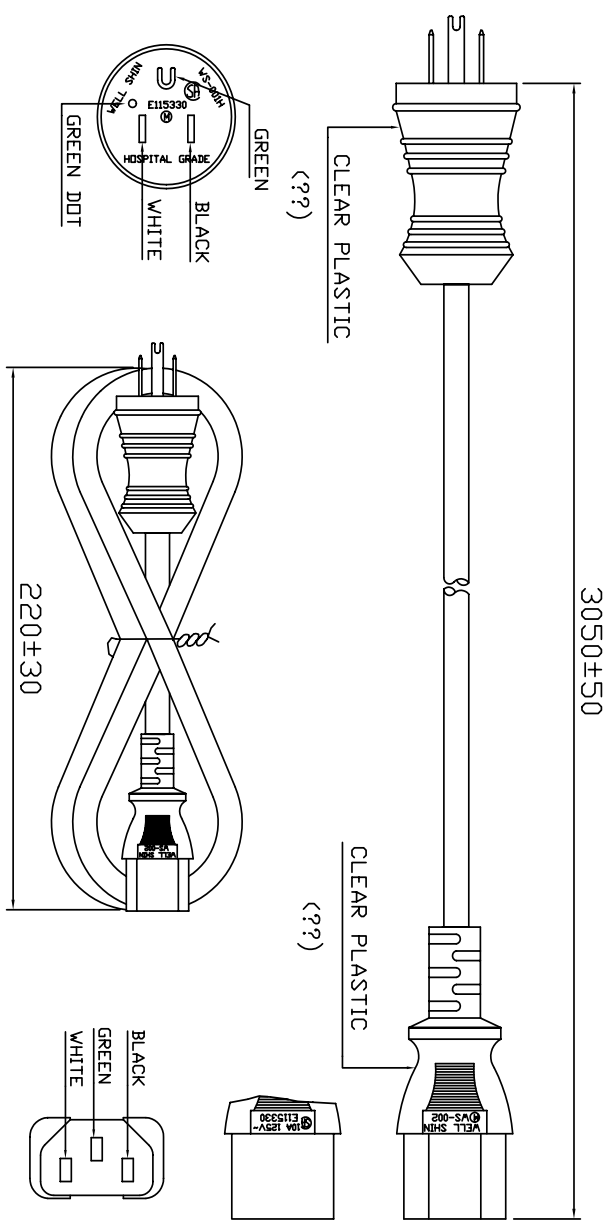


CUSTOMER:	N/A	P/N:	0310.120	REV.		APPROVALED BY:	
-----------	-----	------	----------	------	--	----------------	--

REVISIONS			
REV.	DESCRIPTION	DATE	APPV.D.
△	?????	87.10.26	
△	??????????	03.30.01	
△	????????????	02.27.03	
△	?????SJTW	04.06.03	



NOTES:

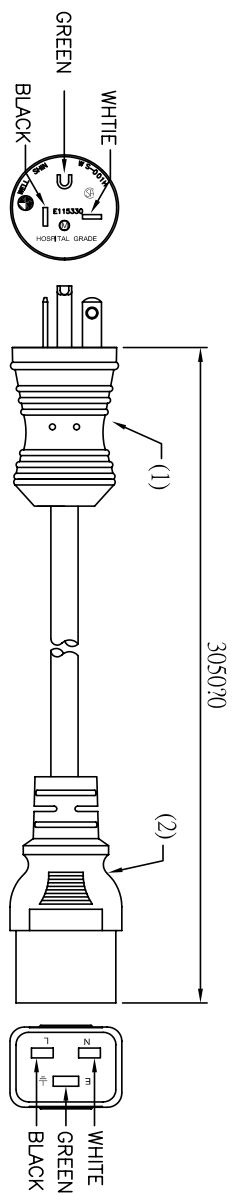
- PRODUCT SPECIFICATION:
- (1) COLOR : GY-H
 - (2) PLUG : WS-001H 10 (A) 125 (V) APPROVAL : UL,CSA
 - (3) CONNECTOR: WS-002 10 (A) 125 (V) APPROVAL : UL,CSA
 - (4) CABLE : SJTW 18AWG*3C 105°C △ APPROVAL : UL,CSA

ENGINEER BY:	SIGNATURE	QUAIL ELECTRONICS, INC.	
MANAGER BY:		http://www.quail.com	
CHECKED BY:		PRODUCT NO:	DATE: 2004.06.03
DRAWN BY:		UNIT: mm	SHEET: 1 OF 1
		DWG NO: 0096-0003	REV
			D

CUSTOMER: N/A P/N: 0293.120 REV. APPROVED BY:

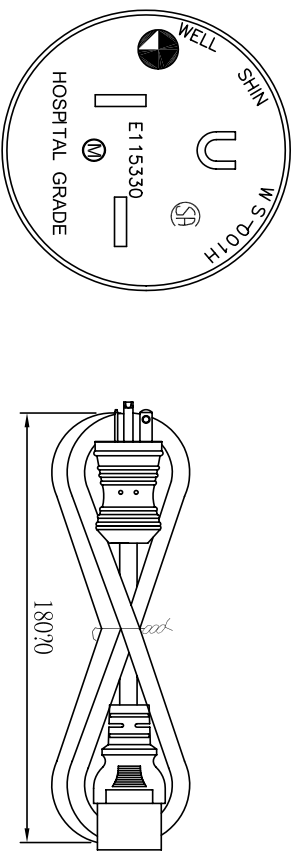
REVISIONS			
REV.	DESCRIPTION	DATE	APPVD.
△			
△			
△			
△			
△			

NOTES:



MARKING:

MARKING:



PRODUCT SPECIFICATION :

- COLOR: GREY (NACC)
- (1) PLUG: WS-001H4(NEMA 6-20P),20(A) 250(V), APPROVAL: UL,CSA
 - (2) CONNECTOR: WS-002F(IEC320 C19), 20(A) 250(V), APPROVAL: UL,C-UL
 - (3) CABLE: SJT 12AWG 3C 105°C APPROVAL: UL,CSA

ENGINEER BY:	SIGNATURE	QUAIL ELECTRONICS, INC. http://www.quail.com		
MANAGER BY:				
CHECKED BY:				
DRAWN BY:				
PRODUCT NO.: 001H-4+002F		DATE: 08.13.2004		
UNIT: mm		SHEET: 1 OF 1	REV.	
DWG NO:				

CUSTOMER: N/A

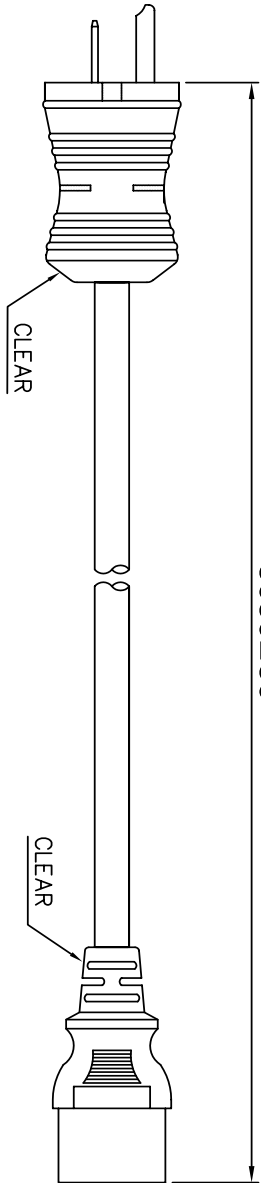
P/N: 0294.120

REV.

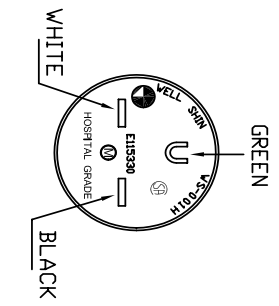
APPROVALED BY:

REVISIONS		
REV.	DESCRIPTION	DATE
Δ		
Δ		
Δ		

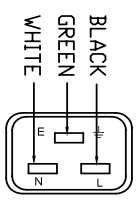
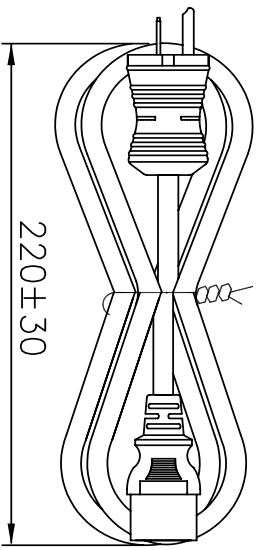
3050±50



MARKING:



NEMA: 6-15P



NOTES:

PRODUCT SPECIFICATION:

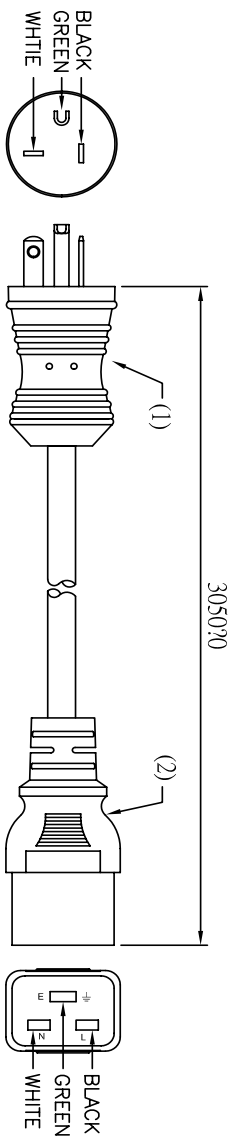
- (1) COLOR : GY-H
- (2) PLUG : WS-001H
- (3) APPROVAL: WS-002
- (4) CABLE : SJTW 14AWG*3C 105°C

ENGINEER BY:	SIGNATURE	QUAIL ELECTRONICS, INC.	
MANAGER BY:		http://www.quail.com	
CHECKED BY:		PRODUCT NO:	DATE: 2004.08.21
DRAWN BY:		UNIT: mm	SHEET: 1 OF 1
		DWG NO:	REV.

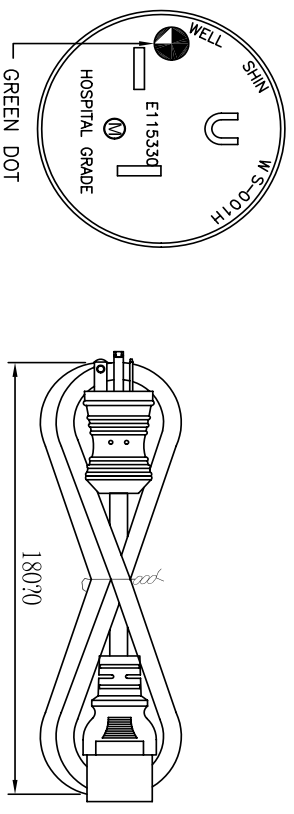
CUSTOMER: N/A P/N: 0383.120 REV. APPROVED BY:

REVISIONS			
REV.	DESCRIPTION	DATE	APPVD.
△			
△			
△			
△			
△			

NOTES:



MARKING: CLEAR CLEAR MARKING:

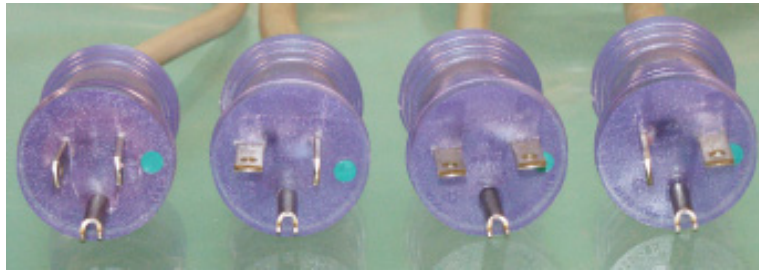


PRODUCT SPECIFICATION :

- COLOR: GY-H (PANTONE COOL 9C)
- (1) PLUG: WS-001H(NEMA 5-20P), 20(A) 125(V), APPROVAL: UL,C-UL
 - (2) CONNECTOR: WS-002F(IEC320 C19), 20(A) 125(V), APPROVAL: UL,C-UL
 - (3) CABLE: SJTO 12AWG 3C 105°C APPROVAL: UL,CSA

ENGINEER BY:	SIGNATURE	QUAIL ELECTRONICS, INC.	
MANAGER BY:		http://www.quail.com	
CHECKED BY:		PRODUCT NO: 001H-3+002F	DATE: 08.12.2004
DRAWN BY:		UNIT: mm	SHEET: 1 OF 1
		DWG NO: 0096-1707	REV.

NEMA HOSPITAL GRADE PLUGS



QUAIL ELECTRONICS, INC. IS RELEASING IT'S NEW NEMA HOSPITAL GRADE PLUGS. QUAIL ELECTRONICS IS CURRENTLY STOCKING THESE CORDSETS IN ITS NORTHERN CALIFORNIA WAREHOUSE. CONTACT US FOR MORE INFORMATION.

THESE CORDS ARE NOW AVAILABLE FOR PURCHASE. PLEASE REFERENCE SERIES NUMBERS 0383, 0294, 0293 AND 0310. ANY LENGTH CAN BE PROVIDED, MOST COMMONLY STOCKED IS 10FT. THESE ARE AVAILABLE STARTING AT \$13.85 PER CORD. DISCOUNTED PRICING IS AVAILABLE FOR QUANTITY PURCHASES.

QUAIL ELECTRONICS, INC.

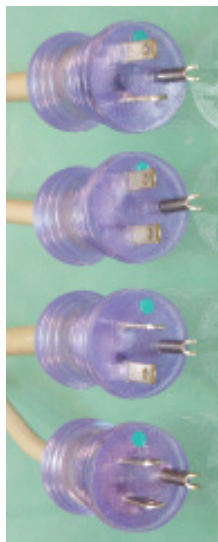
2171 RESEARCH DRIVE, LIVERMORE, CA 94550
(925)373-6700 FAX (925)373-7099

FOR IMMEDIATE RELEASE

NEMA HOSPITAL GRADE PLUGS

AUGUST, 2004
LIVERMORE, CA

CONTACT: JASON VANDUSEN
(925)373-6700
FAX (925)373-7099
E-MAIL: JASON@QUAIL.COM



PART NUMBERS

0383.120
0294.120
0293.120
0310.120

QUAIL ELECTRONICS, INC. IS RELEASING NEMA HOSPITAL GRADE PLUGS. QUAIL ELECTRONICS IS CURRENTLY STOCKING THESE CORDSETS IN ITS NORTHERN CALIFORNIA WAREHOUSE. CONTACT US FOR MORE INFORMATION.

"HOSPITAL GRADE POWER CORDS, IDENTIFIABLE BY THEIR TYPICAL GRAY JACKETS, TRANSPARENT PLUGS, AND UL APPROVED GREEN DOTS, ARE SOMEWHAT EASY TO SOURCE IF IT IS A STANDARD NEMA 5-15P PLUG FORMAT. QUAIL ELECTRONICS HAS BEEN SUPPLYING THIS TYPE OF HOSPITAL GRADE CORD FOR MANY YEARS, BUT THE MEDICAL OEM MARKETPLACE HAS ASKED FOR MORE. IT HAS TAKEN A WHILE, BUT WE ARE PLEASED TO ANNOUNCE THAT WE NOW ARE APPROVED AND STOCKING HOSPITAL GRADE POWER CORDS IN EACH OF THE FOLLOWING CONFIGURATIONS:

NEMA 5-15P (15A/125V) NEMA 6-15P (15A/250V)
NEMA 5-20P (20A/125V) NEMA 6-20P (20A/250V)

OF COURSE YOU HAVE YOUR SELECTION OF EQUIPMENT SIDE PLUGS OR BARE WIRES. WE ARE EXCITED TO OFFER MORE AGENCY APPROVED OPTIONS TO OUR MEDICAL EQUIPMENT MANUFACTURERS."

GREG RUPPERT, PRESIDENT, QUAIL ELECTRONICS, INC.

THESE CORDS ARE NOW AVAILABLE FOR PURCHASE. PLEASE REFERENCE SERIES NUMBERS 0383, 0294, 0293 AND 0310. ANY LENGTH CAN BE PROVIDED, MOST COMMONLY STOCKED IS 10FT. THESE ARE AVAILABLE STARTING AT \$13.85 PER CORD. DISCOUNTED PRICING IS AVAILABLE FOR QUANTITY PURCHASES.

THE SALES AND CUSTOMER SERVICE DEPARTMENT CAN BE REACHED AT (800)669-8090 OR E-MAIL SALES@QUAIL.COM.

QUAIL ELECTRONICS, INC.

2171 RESEARCH DRIVE, LIVERMORE, CA 94550
(925)373-6700 FAX (925)373-7099