

FOR IMMEDIATE RELEASE

MULTI-OUTLET POWER CORDS

JUNE, 2004
LIVERMORE, CA

CONTACT: MICHELLE SWEET
(925)373-6700
FAX (925)373-6768
E-MAIL: MICHELLE@QUAIL.COM



MULTI-OUTLET

QUAIL ELECTRONICS, INC. IS RELEASING OUR NEW MULTIPLE NEMA 5-15R OUTLET CORD SETS. THESE CORDS ALLOW YOU TO EXTEND THE POWER FROM ONE CORD TO 3 OR 4 RECEPTACLES. WE OFFER THESE MOLDS ON 18/3 AWG THRU 12/3 AWG. MOST CONFIGURATIONS ARE IN STOCK IN OUR NORTHERN CALIFORNIA FACILITY. PLEASE CONTACT US FOR MORE INFORMATION.

"TO RESPOND TO MARKET DEMANDS REQUIRING MORE NEMA 5-15R OUTLETS, WE HAVE DEVELOPED A FEW DIFFERENT SOLUTIONS WHERE THE USER CAN PLUG INTO ONE WALL OUTLET AND CONVERT INTO 3 OR 4 OUTLETS WHILE STILL PROVIDING THE EXTENSION CORD FEATURE. THIS ISN'T REALLY A NEW CONCEPT, BUT I THINK WHERE WE CAN ADD VALUE IS IN OUR ABILITY TO CUSTOMIZE THE MOLDED CABLE ASSEMBLY FOR OUR CUSTOMERS. WE CAN TAKE THIS CONCEPT AND CREATE VARIOUS LENGTHS, WIRE GAUGES, MALE PLUGS, AND EVEN COLORS PROVIDED WE HAVE MINIMUM QUANTITIES AS LOW AS 250 PCS."

GREG RUPPERT, PRESIDENT, QUAIL ELECTRONICS, INC.

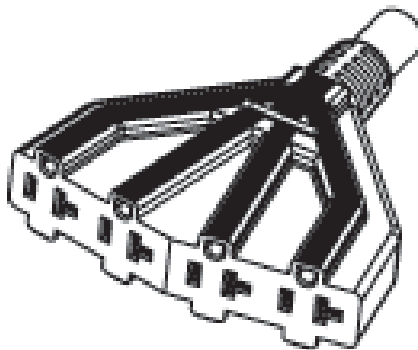
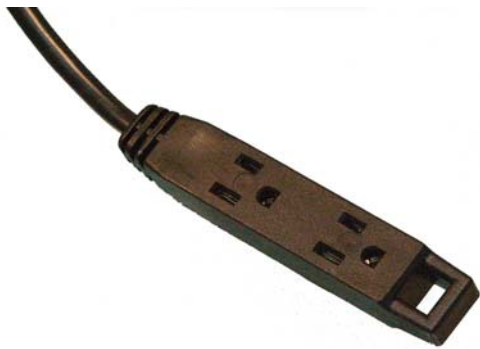
THESE CORDS ARE NOW AVAILABLE FOR PURCHASE. PLEASE CONTACT QUAIL ELECTRONICS'S SALES DEPARTMENT FOR FURTHER INFORMATION.

THE SALES AND CUSTOMER SERVICE DEPARTMENT CAN BE REACHED AT
(800) 669-8090 OR E-MAIL SALES@QUAIL.COM.

QUAIL ELECTRONICS, INC.

2171 RESEARCH DRIVE, LIVERMORE, CA 94550
(925)373-6700 FAX (925)373-7099

MULTI-OUTLET POWER CORDS

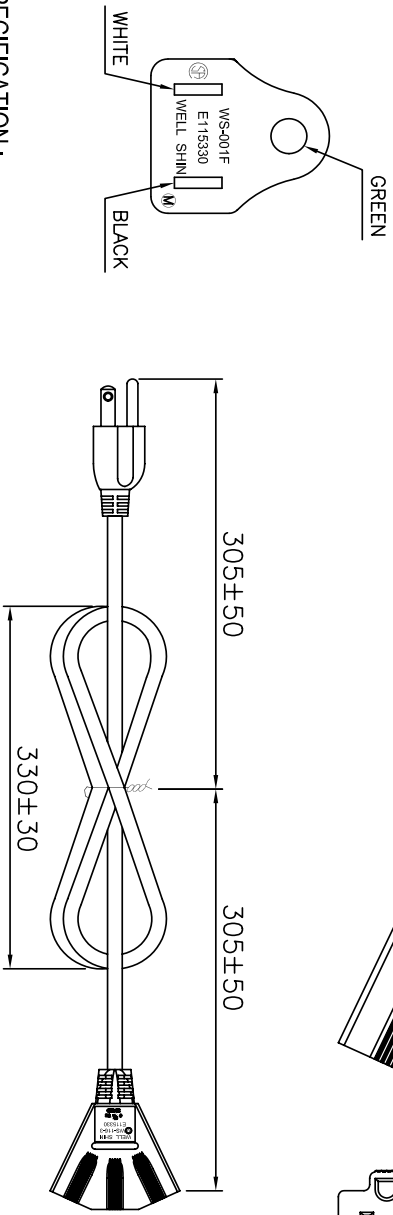
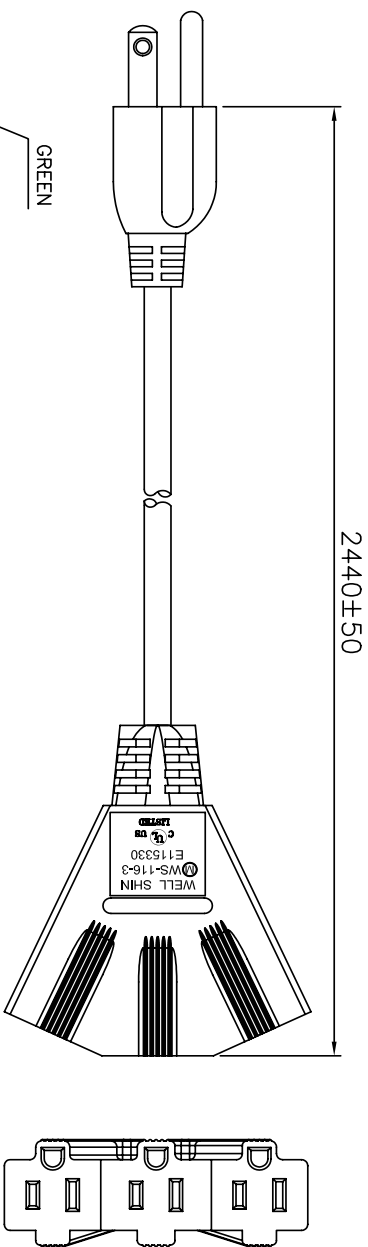


QUAIL ELECTRONICS, INC. IS RELEASING OUR NEW MULTIPLE NEMA 5-15R OUTLET CORD SETS. THESE CORDS ALLOW YOU TO EXTEND THE POWER FROM ONE CORD TO 3 OR 4 RECEPTACLES. WE OFFER THESE MOLDS ON 18/3 AWG THRU 12/3 AWG. MOST CONFIGURATIONS ARE IN STOCK IN OUR NORTHERN CALIFORNIA FACILITY. PLEASE CONTACT US FOR MORE INFORMATION.

THE SALES AND CUSTOMER SERVICE DEPARTMENT CAN BE REACHED AT (800)669-8090
OR
E-MAIL: SALES@QUAIL.COM.

QUAIL ELECTRONICS, INC.
2171 RESEARCH DRIVE, LIVERMORE, CA 94550 (800)669-8090 FAX (925)373-7099
HTTP://WWW.QUAIL.COM E-MAIL: SALES@QUAIL.COM

TITLE: 0096-1514 PART NUMBER: 5529.096 APPROVAL BY :



SPECIFICATION :

- (1) LENGTH : 2440 MM
 - (2) COLOR : BLACK
 - (3) PLUG : NEMA 5-15P (A) 15 (V) 125
 - (4) CONNECTOR: NEMA 5-15R X3 (A) 15 (V) 125
 - (5) CABLE : SJTW 14AWG 3C 105°C
- WIRE COLOR : (BLACK) (WHITE) (GREEN)
- APPROVAL : UL,CSA
- APPROVAL : UL,C-UL
- APPROVAL : UL,CSA

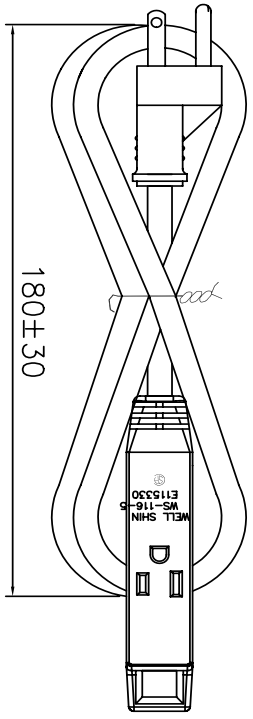
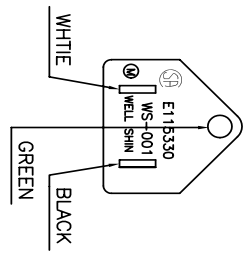
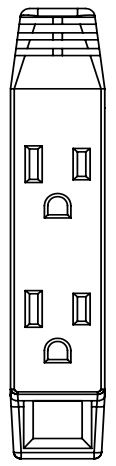
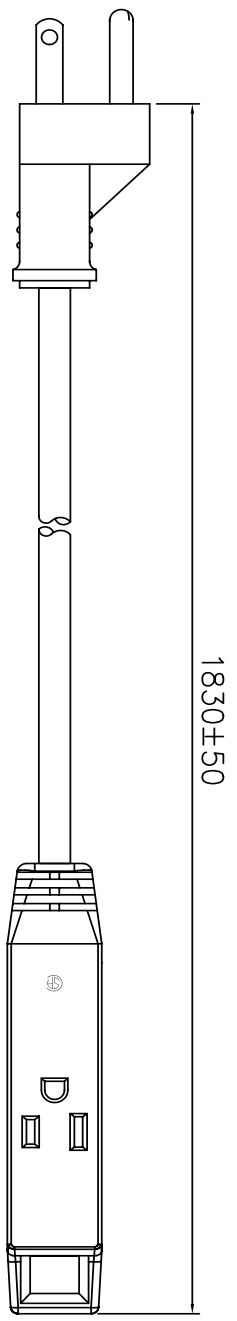
QUAIL ELECTRONICS www.quail.com CUSTOMER N/A

PRODUCT NO	001F-2+116-3	TITLE	001F+116-3	DATE	12.18.03
REMARK		UNIT	MM	REV	
		MANAGER		CHECK BY:	ENGINEER:

1				
2				
3				
4				
5				
6				
7				
8				
9				
10				
11				
12				
13				
14				
15				
16				
17				

REV.	DESCRIPTION	BY	APP.	DATE
A				
B				
C				

TITLE	0096-0763	PART NUMBER	5528.072	APPROVAL BY :
-------	-----------	-------------	----------	---------------



1				
2				
3				
4				
5				
6				
7				
8				
9				
10				
11				
12				
13				
14				
15				
16				
17				

SPECIFICATION :

- (1) LENGTH : 1830 MM
- (2) COLOR : BLACK WIRE COLOR : (BLACK) (WHITE) (GREEN)
- (3) PLUG : WS- NEMA 5-15P (A) 13 (V) 125 APPROVAL : UL,CSA
- (4) CONNECTOR: NEMA 5-15R X3 (A) 13 (V) 125 APPROVAL : UL,CSA
- (5) CABLE : SJTW 16AWG 3C 105°C APPROVAL : UL,CSA

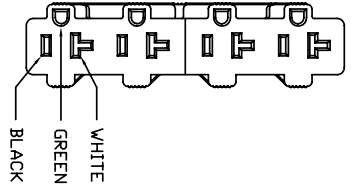
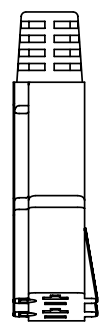
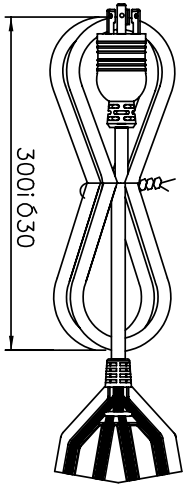
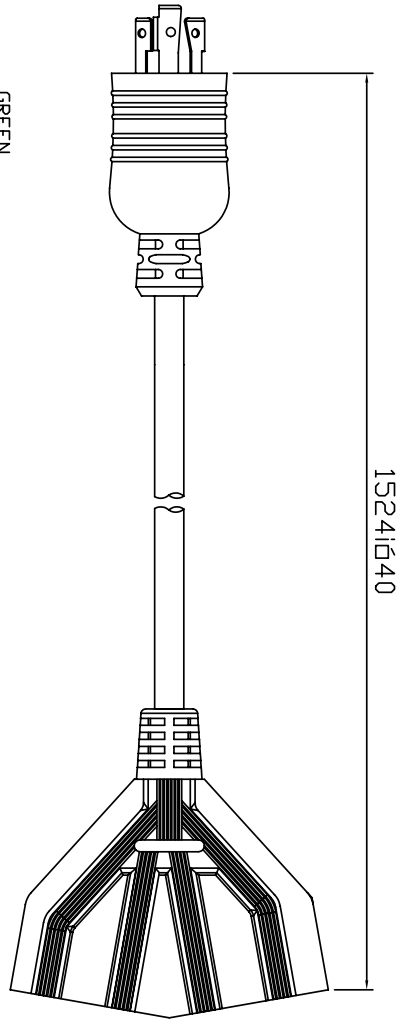
QUAIL ELECTRONICS www.quail.com CUSTOMER N/A

PRODUCT NO	001+116-5	TITLE	001+116-5	DATE	09.03 03'
REMARK		UNIT	MM	REV	B
		MANAGER		CHECK BY	ENGINEER
		DRAWN BY			

REV.	DESCRIPTION	BY	APP.	DATE
A				04.24.02
B				09.03 03'
C				

TITLE: N/A P/N: 5535.060 REV. APPROVALED BY:

REVISIONS			
REV.	DESCRIPTION	DATE	APPVD.
△			
△			
△			
△			
△			



NOTES:

PRODUCT SPECIFICATION:

- (1) COLOR : BLACK
- (2) PLUG : NEMA L14-30P 30 (A) 125/250 (V) APPROVAL: UL,C-UL
- (3)CONNECTOR: NEMA 5-15R X3 30 (A) 125 (V) APPROVAL: NONE
- (4) CABLE : SJTW 10AWG*4C 105°C APPROVAL: UL,CSA

ENGINEER BY:	SIGNATURE	QUAIL ELECTRONICS, INC. http://www.quail.com
MANAGER BY:		
CHECKED BY:		
DRAWN BY:		
PRODUCT NO:		DATE: 2004.05.07
UNIT: mm		SHEET: 1 OF 1
DWG NO: 0096-1634		REV