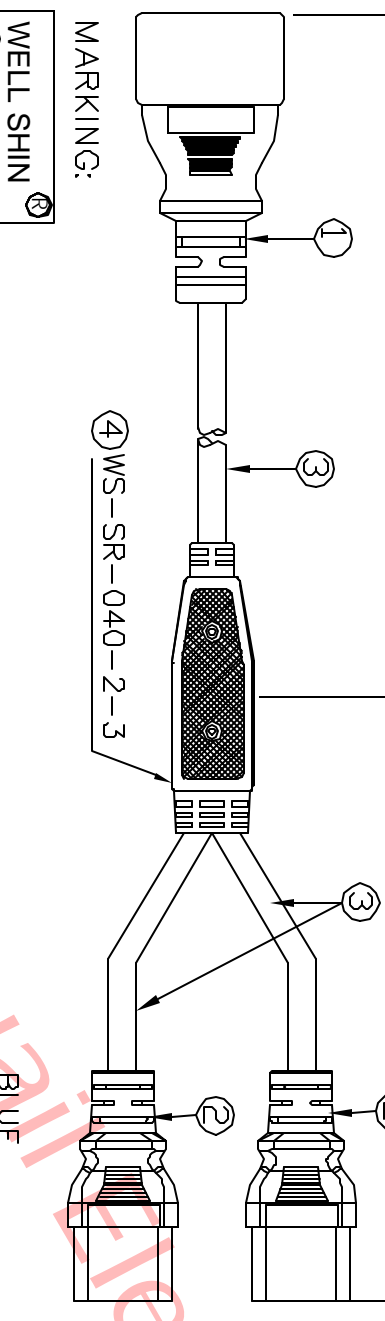
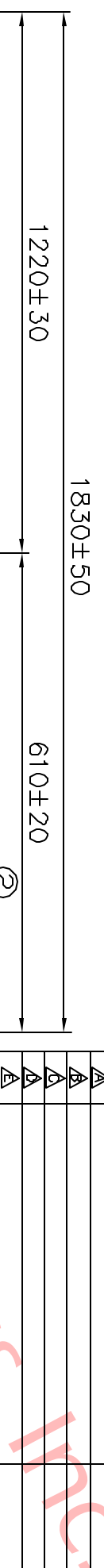
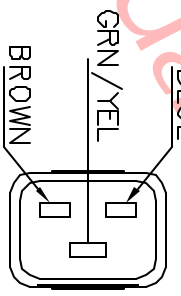
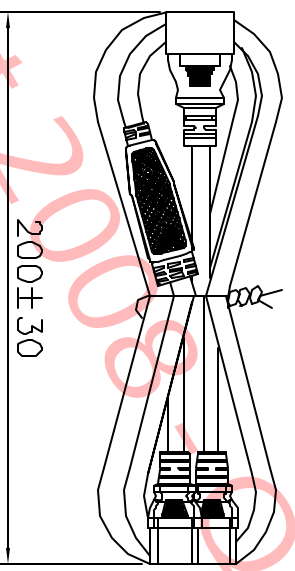
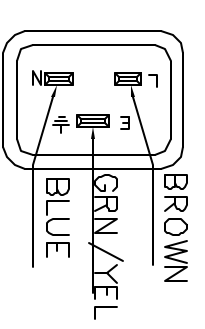


CUSTOMER: P/N: 0229.072 CREV. . APPROVED BY:

REVISIONS		DATE
REV.	DESCRIPTION	
Δ		
Δ		
Δ		
Δ		
Δ		



MARKING:
 WELL SHIN
 WS-003D
 20A 250V~
 E115330



MARKING:
 WELL SHIN
 WS-002F
 20A 250V~
 E115330

④	WS-SR-040-2-3	
③	SJTW 12AWG*3C 105°C	APPROVAL:UL,C-UL
②	IEC-60320-C19 x 2 (WS-002F)	20(A) 250(V) APPROVAL:UL,C-UL
①	IEC-60320-C20 (WS-003D)	20(A) 250(V) APPROVAL:UL,C-UL

NO.	SPECIFICATION	COLOR	QTY(PCS)
4	WS-SR-040-2-3	BLACK	1
3	SJTW 12AWG*3C 105°C	BLACK	3
2	WS-002F	BLACK	2
1	WS-003D	BLACK	1

ITEM	DESCRIPTION
④	WS-SR-040-2-3
③	SJTW 12AWG*3C 105°C
②	IEC-60320-C19 x 2 (WS-002F)
①	IEC-60320-C20 (WS-003D)

MARKING: Ⓞ FOR DONG-GUAN PLANT, Ⓞ FOR KUN-SHAN PLANT	
ENGINEER:	SIGNATURE
MANAGER:	
CHECKED BY:	
DRAWN BY:	
PRODUCT NO.:	DATE:
UNIT: mm	SHEET: 1 OF 1
DWG NO.:	PREV.

THE INFORMATION CONTAINED HEREIN IS PROPRIETARY TO QUAL ELECTRONICS, INC. ANY USE OR DISCLOSURE OF THIS INFORMATION, EXCEPT FOR THE EXCLUSIVE BENEFIT OF QUAL ELECTRONICS, INC. IS PROHIBITED.