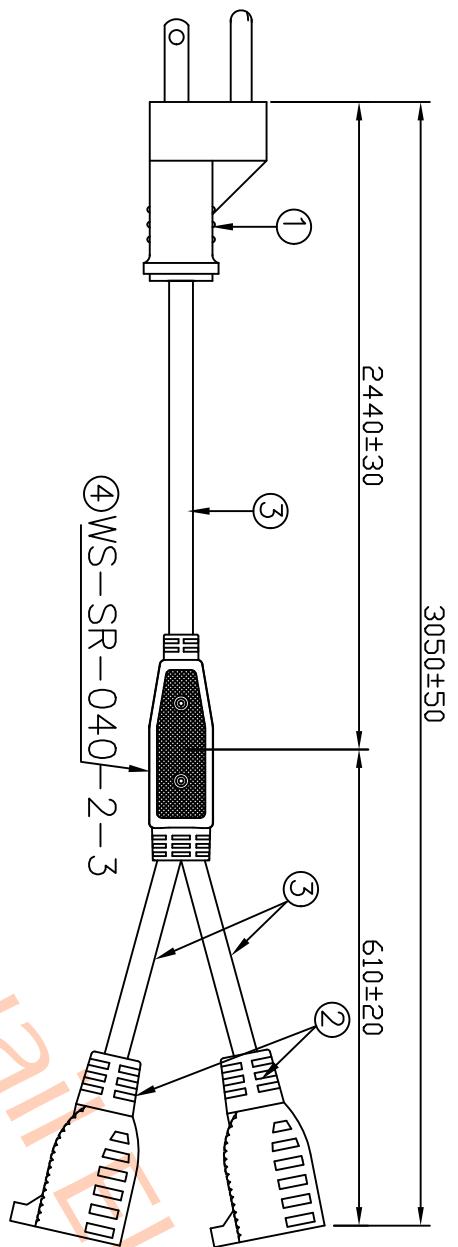
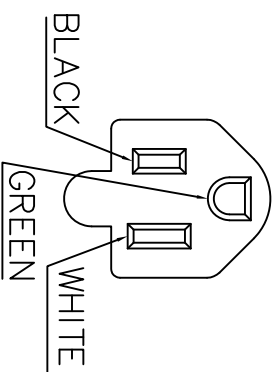
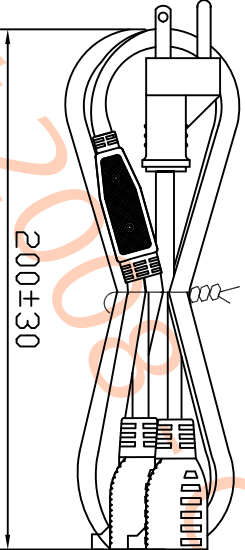
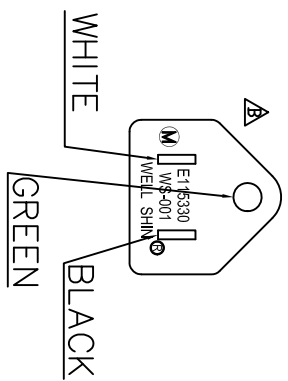


RoHS (2002/95/EC) COMPLIANT

CUSTOMER:	P/N:	REV..	APPROVED BY:	REVISIONS	DATE
	0403.120			DESCRIPTION	



NOTES:



④	WS-SR-040-2-3	BLACK	1
③	SJTW 18AWG*3C 105°C APPROVAL UL,C-UL	BLACK	3
②	WS-022 10(A) 125(V) APPROVAL UL,C-UL	BLACK	2
①	WS-001 10(A) 125(V) APPROVAL UL,C-UL	BLACK	1
ITEM	DESCRIPTION	COLOR	Q'TY

MARKING: (M) FOR DONG-GUAN PLANT, (K) FOR KUN-SHAN PLANT

QUAIL ELECTRONICS, INC.

http://www.quail.com

ENGINEER BY:	SIGNATURE	PRODUCT NO.:	DATE:
MANAGER BY:		UNIT:	SHEET: 1 OF 1
CHECKED BY:		DWG NO.:	0096-0331
DRAWN BY:		REV.:	B

THE INFORMATION CONTAINED HEREIN IS PROPRIETARY TO QUAIL ELECTRONICS, INC. ANY USE OR DISCLOSURE OF THIS INFORMATION, EXCEPT FOR THE EXCLUSIVE BENEFIT OF QUAIL ELECTRONICS, INC. IS PROHIBITED.