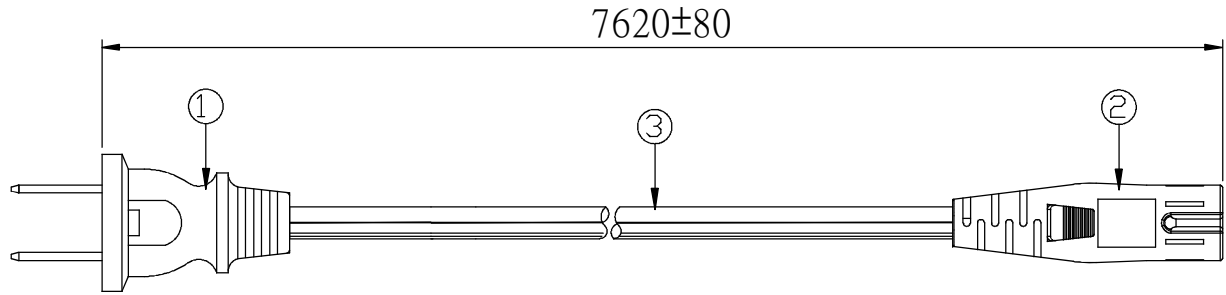
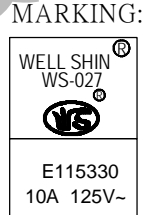
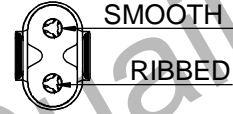
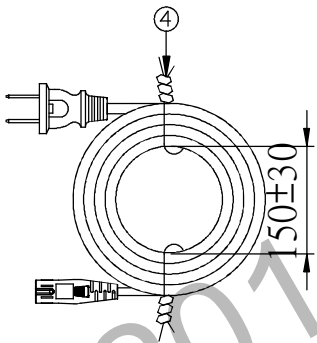
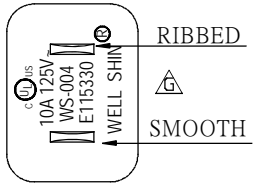


CUSTOMER: P/N: 1062.300 REV. APPROVED BY:

REVISIONS		
REV.	DESCRIPTION	DATE
△		08.06.07
△		09.08.06
△		2010/06/25
△		2011/04/15
△		2013/10/08
△	Update printing head	2015/01/22



NOTES:  
 1. CSA Safety Update from D Edition  
 2. RoHS



NEMA 1-15P

IEC-60320-C7

ITEM	DESCRIPTION	COLOR	Q'TY
④	CABLE TIE	BLACK	2
③	SPT-2 18AWG*2C 105°C APPROVAL : UL,C-UL(CSA)	BLACK	1
②	WS-027 10 (A) 125 (V) APPROVAL : UL,C-UL	BLACK	1
①	WS-004 10 (A) 125 (V) APPROVAL : UL,C-UL	BLACK	1

SIGNATURE		<b>QUAIL ELECTRONICS, INC.</b> http://www.quail.com	
SAFETY ENGINEER:		PRODUCT NO.: 004+027	DATE: 2015/01/22
MANAGER BY:		UNIT: mm	SHEET: 1 OF 1
CHECKED BY:		DWG NO: 0096-2363	
DRAWN BY:		<b>G</b>	