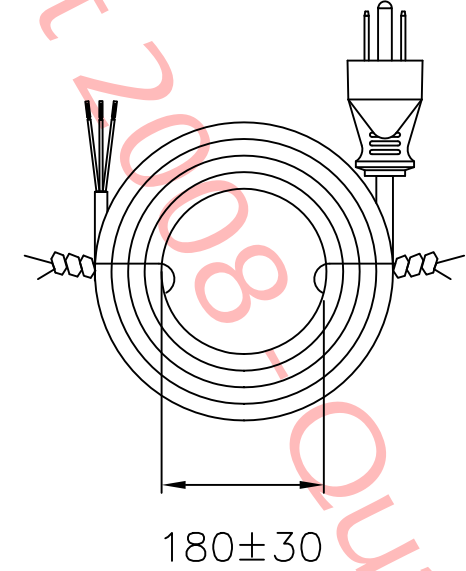
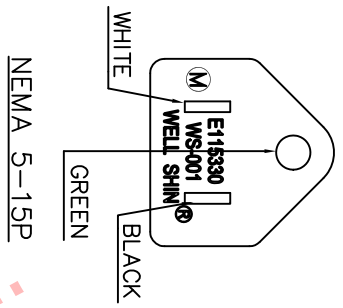
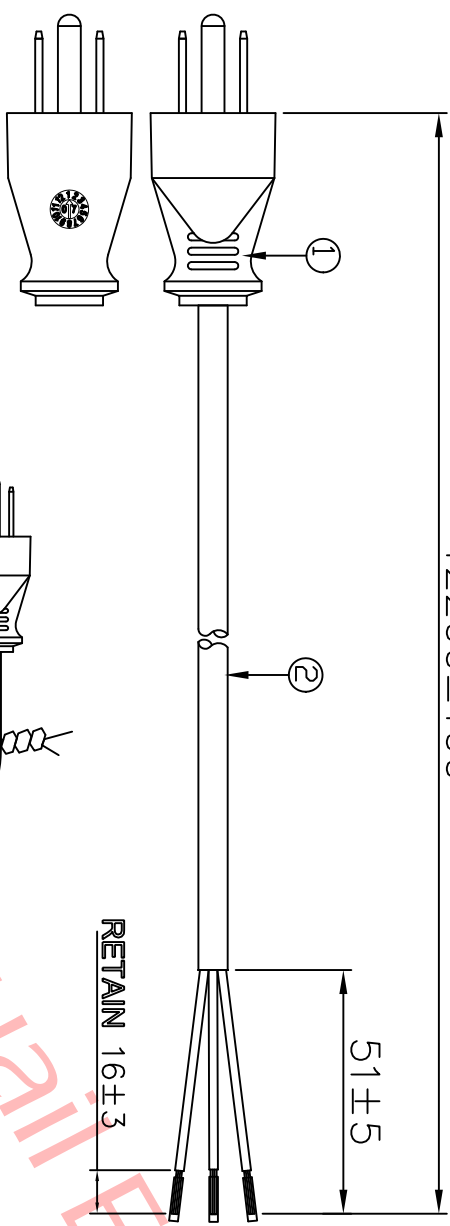


ROHS (2002/95/EC) COMPLIANT

CUSTOMER: P/N: 2380.480 REV.: APPROVED BY:

REVISIONS	
REV.	DESCRIPTION

12200±100



NOTES:

REV.	DESCRIPTION	DATE

MARKING: (M) FOR DONG-GUAN PLANT, (K) FOR KUN-SHAN PLANT

QUAIL ELECTRONICS, INC.
<http://www.quail.com>

SAFETY ENGINEER: SIGNATURE: PRODUCT NO.: DATE: 2009.04.20

MANAGER: CHECKED BY: UNIT: mm SHEET: 1 OF 1 REV.

DRAWN BY: DWG NO: 0096-3291 0

ITEM	DESCRIPTION	COLOR	Q'TY
②	SVT 18AWG*3C 105°C APPROVAL:UL,C-UL	BLACK	1
①	WS-001 10(A) 125 (V) APPROVAL:UL,C-UL	BLACK	1

THE INFORMATION CONTAINED HEREIN IS PROPRIETARY TO QUAIL ELECTRONICS, INC. ANY USE OR DISCLOSURE OF THIS INFORMATION, EXCEPT FOR THE EXCLUSIVE BENEFIT OF QUAIL ELECTRONICS, INC. IS PROHIBITED.