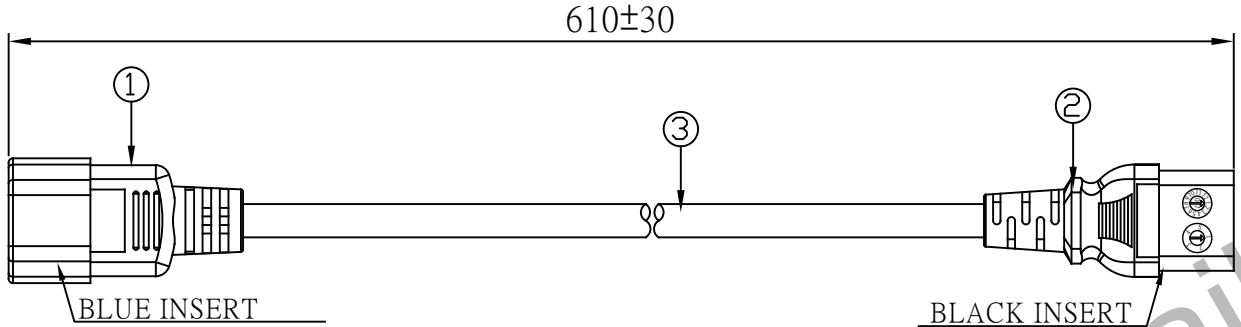


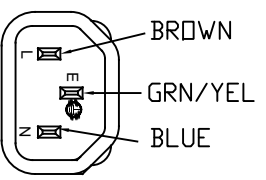
CUSTOMER: P/N: 5287.024BLU REV. APPROVED BY:

REVISIONS		
REV.	DESCRIPTION	DATE
△		
△		
△		
△		
△		
△		

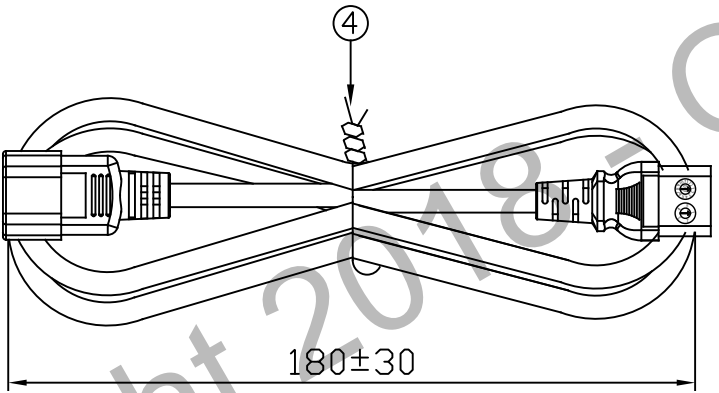


NOTES:

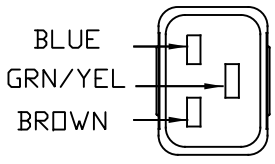
MARKING:
 WELL SHIN®
 WS-003
 15A 250V~
 E115330
 cULus



IEC-60320-C14
 BLUE



MARKING:
 WELL SHIN®
 WS-002F
 15A 250V~
 E115330



IEC-60320-C19
 BLUE

ITEM	DESCRIPTION	COLOR	Q'TY
④	CABLE TIE	WHITE	1
③	SJTW 14AWG 3C,105°C	(BL-2631)	1
②	WS-002F(IEC320 C19) 15 (A) 250 (V)	PANTONE	1
①	WS-003(IEC320 C14) 15 (A) 250 (V)	661C	1

SIGNATURE		QUAIL ELECTRONICS, INC. http://www.quail.com	
ENGINEER BY:			
MANAGER BY:		PRODUCT NO.: 003+002F	DATE: 2018/02/21
CHECKED BY:		UNIT: mm	SHEET: 1 OF 1
DRAWN BY:		DWG NO:	