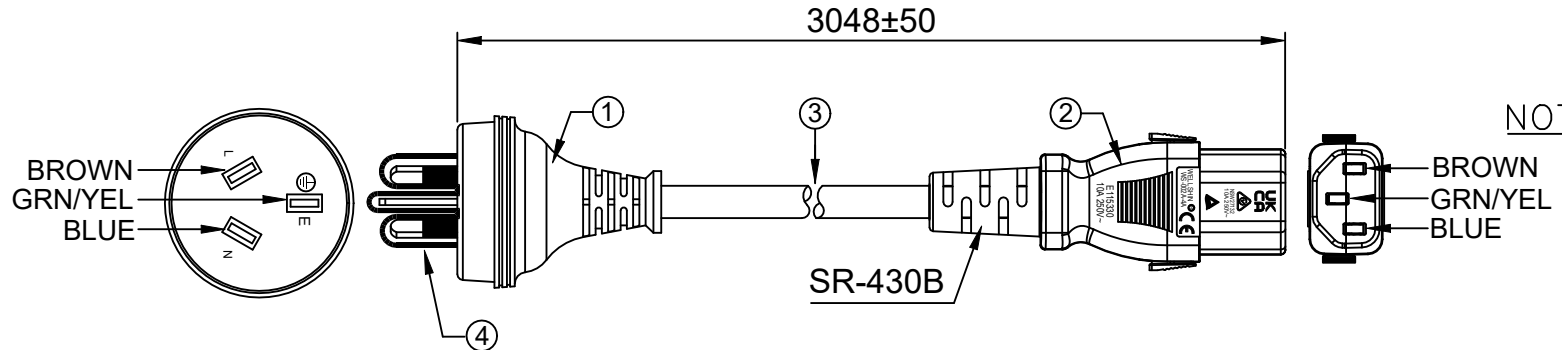
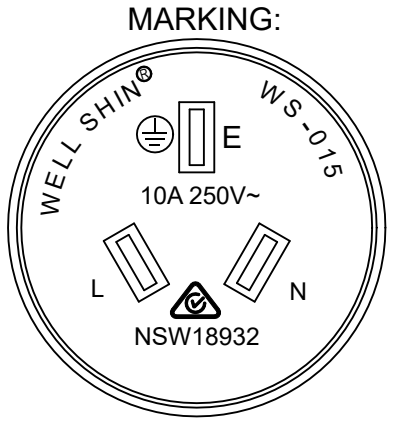


CUSTOMER: ---- P/N: 8530.120AL REV. . APPROVED BY:

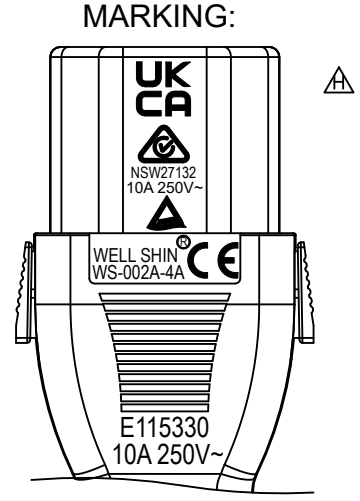
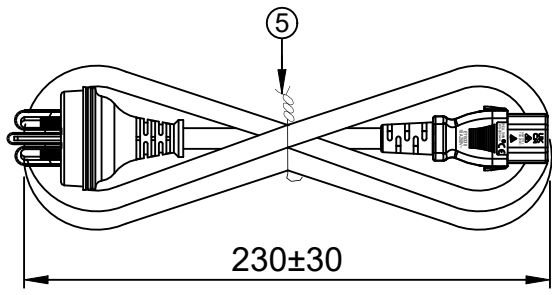
REVISIONS		
REV.	DESCRIPTION	DATE
△	Update connector mark	2025/12/15



NOTES:
1.RoHS shown on the carton



AS/NZS 4417
AUSTRALIA



IEC-60320-C13
AUTO-LOCK

⑤	Cable tie	BLACK	1
④	Plastic cap	WHITE	1
③	H05VV-F 3G 1.0MMSQ APPROVAL: EUROPEAN,RCM,CE	BLACK	1
②	WS-002A-4A 10(A) 250(V) APPROVAL: UL,CUL,RCM,TUV,UKCA,CE	BLACK	1
①	WS-015 10(A) 250(V) APPROVAL: RCM	BLACK	1
ITEM	DESCRIPTION	COLOR	QTY

SIGNATURE	
SAFETY ENGINEER:	
MANAGER BY:	
CHECKED BY:	
DRAWN BY:	

QUAIL ELECTRONICS, INC.® http://www.quail.com		PRODUCT NO.:	DATE: 2025/12/15
		UNIT: mm	SHEET: 1 OF 1
DWG NO: 0096-4466		REV. H	