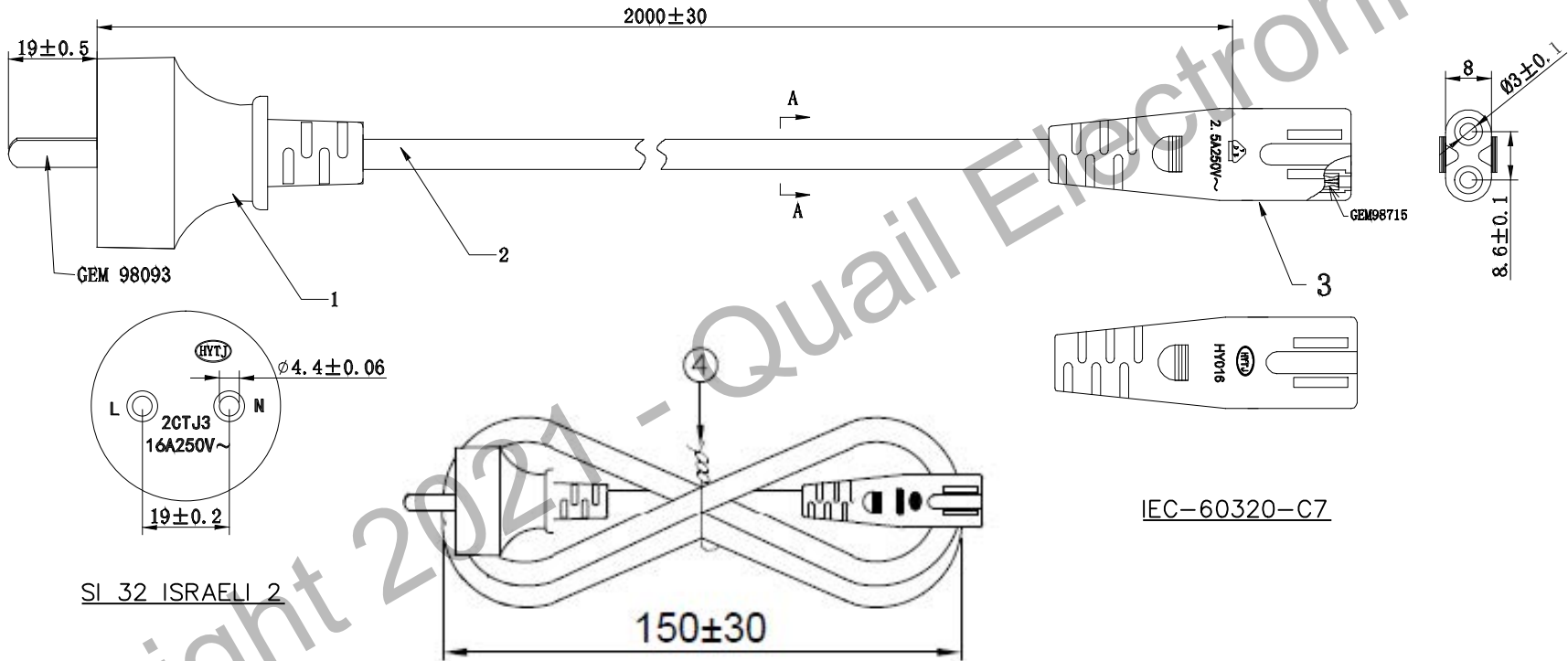


CUSTOMER:	P/N: 8565.079	REV.D1	APPROVED BY:	REVISIONS		
				REV.	DESCRIPTION	DATE

△		
△		
△		
△		



SI 32 ISRAELI 2

IEC-60320-C7

④	Cable tie	BLACK	1 PCS
③	HY016 , 2.5A 250V~ ,APPROVAL: VDE	BLACK	1 PCS
②	2CTJ3 , 16A 250V~ ,APPROVAL: NONE	BLACK	1 PCS
①	H03VVH2-F 2C 0.75mm2 APPROVAL;EU	BLACK	1 PCS
NO.	DESCRIPTION	COLOR	QTY

	SIGNATURE	 <b>QUAIL ELECTRONICS, INC.</b> <a href="http://www.quail.com">http://www.quail.com</a>		
ENGINEER BY:		PRODUCT NO.:	2CTJ3+HY016	DATE: 2019.03.26
MANAGER BY:		UNIT:	mm	SHEET: 1 OF 1
CHECKED BY:		DWG NO: A001-0011		REV. 0
DRAWN BY:				